

4500B Digital Sampling Power Analyzer for Wireless Communication Signals

Mazumder Alam

Product Marketing Manager, Boonton Electronics

Richard H. Blackwell

Former Director of Engineering, Boonton Electronics



Abstract

Digital modulation methods of cellular and other wireless communications system present a challenge for making accurate peak power measurements. Although there are many different implementations, the Orthogonal Frequency Division Multiplexing (OFDM) and Spread Spectrum Modulation are the latest technologies. Of many wireless communication systems, WCDMA (Wideband Code Division Multiple Access) is the one which uses several modulation schemes.

4500B Digital Sampling Power Analyzer for Wireless Communication Signals

Digital modulation methods of cellular and other wireless communications system present a challenge for making accurate peak power measurements. Although there are many different implementations, the Orthogonal Frequency Division Multiplexing (OFDM) and Spread Spectrum Modulation are the latest technologies. Of many wireless communication systems, the technology associated with 3G like EVDO (Evolution Data Optimized) or WCDMA (Wideband Code Division Multiple Access) is the one which uses several modulation schemes. EVDO Rev A has a peak data rate of 3,000 kbps, but realistic speeds average around 600 Kbps to 1,400 Kbps for download and 500 Kbps to 800 Kbps for upload. HSPA provides speeds of around 700-1700kbps for Download and 500-1200 kbps upload. The EVDO channel has a bandwidth of 1.25 MHz with the forward link data rate up to 3.1 Mbps and the reverse link data up to 1.8 Mbps. In EVDO Rev. A, the forward link of the system consists of a single data channel that is divided into 1.67 ms timeslots. The transmitter has to ramp up to the full power while remaining within a specified power/time profile. A peak power video bandwidth of at least 1 MHz is required to assure compliance with the profile.

Similarly, the latest technology LTE (Long Term Evolution) supports modulation types up to 64 QAM (for both uplink and downlink) as per the specification, which has channel transmission bandwidth scalable from 1.25 MHz to 20 MHz and maximum uplink and downlink speeds 50 Mbps and 100 Mbps. Many methods employed in LTE are relatively new in cellular applications. These include OFDM, OFDMA (Orthogonal Frequency Division Multiplexing Access), MIMO (Multiple Input Multiple Output) and SC-FDMA (Single Carrier Frequency Division Multiple Access) modulation techniques. OFDM communication systems do not rely on increased symbol rates in order to achieve higher data rates. OFDM systems break the available bandwidth into many narrower sub-carriers and transmit the data in parallel streams. Each subcarrier is modulated using varying levels of modulation, e.g. QPSK, QAM (Quadrature Amplitude Modulation) or possibly higher orders depend on signal quality.

Average Power Measurement

The average power of an un-modulated RF carrier can be measured accurately by a Average type power meter with a thermoelectric or diode detector. The thermoelectric detector offers good accuracy over a dynamic range of about 50 dB. The diode detector can provide a much larger dynamic range, about 90 dB. The average power of a modulated RF carrier which has constant envelope amplitude, e.g. FM, can also be measured accurately using these techniques. For modulated RF carriers with non-constant envelope amplitude, e.g. pulse modulation, the thermoelectric detector will still respond accurately to the average power of the signal. The long time con-

stant associated with thermal effects prevents this type of detector from following the envelope at the modulation rate, and therefore, is unable to provide any measure of instantaneous power. The conventional Average type diode detector will also respond accurately, provided that it is used at low power in its square-law response region. This usually corresponds to a power at the diode of no more than -20 dBm or 10 μ W. The higher input power is accommodated by placing an attenuator between the input signal and the diode. In a Average type detector the diode is loaded by a fairly large capacitance which filters the noise and improves sensitivity. The resulting time constant is long compared with modulation frequencies and prevents the detector from following the instantaneous value of the envelope.

Pulse Power Measurement

Pulse power is determined traditionally by adjusting the average power reading of a Average type power detector for the duty cycle of a modulating pulse. In this way, a peak power measurement of moderate accuracy can be obtained from an average power value, provided certain conditions are met. First, the modulation must consist of constant amplitude rectangular pulses of known duty cycle (on/off ratio). Second, the linear power range of the detector must not be exceeded by the peak power applied. This requirement is often overlooked, resulting in invalid readings or damage to the detector. The pulse power measurement technique is not suitable for digital modulation systems in which the duty cycle is not constant and pulse amplitude and shape varies.

Peak Power Measurement

What is needed for complex digital modulation is true instantaneous power measurement with a bandwidth sufficient for the modulation format in use often of 25 MHz or above. The Boonton Model 4500B RF Peak Power Meter / Analyzer provides the capability to measure peak power accurately with a dynamic range of as much as 80 dB and a demodulated video bandwidth as large as 80 MHz (sensor dependent). Knowledge of the modulation method or modulating signal is not required for accurate average and peak power measurements. In simplified form the Model 4500B peak power measuring system consists of the following: *See Figure 1.*

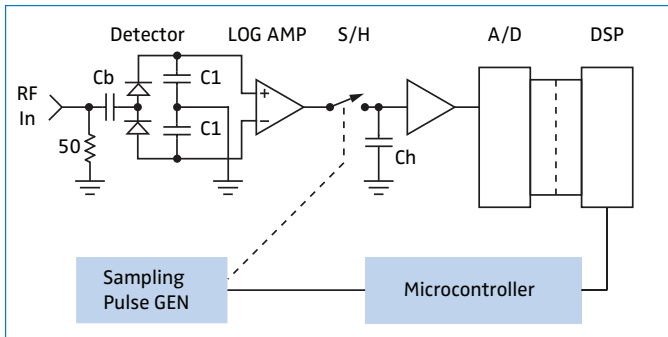


Figure 1 - Simplified view of peak power measurement system.

- A Peak Power Sensor containing a dual diode detector with wide RF bandwidth (up to 40 GHz) and a narrower video bandwidth (greater than 50 MHz), and a precision log amplifier compatible with the video bandwidth (sensor dependent).
- A fast sample and hold amplifier, asynchronous with respect to the input signal.
- An analog to digital converter which operates at the sampling rate.
- A Digital Signal Processor (DSP) for processing the samples at high speed.
- A built-in, digitally controlled, precision Average power calibrator.
- A host processor to control I/O interfaces all sub-processes and display processed data.

Precision Digitally Controlled Calibrator

In order to eliminate the error associated with diode non-linearity, a calibration table is created for each sensor which stores the response to a series of precision power levels covering the effective dynamic range along with additional data. This is accomplished automatically by a precision, digitally controlled, RF power source and control program. The resulting calibration table is extended by interpolation to create a power entry for all possible A/D converter values. This allows the DSP to calculate the instantaneous power of each individual sample of the RF envelope. Average power is calculated by summing the instantaneous power values. The non-linear relationship between instantaneous RF power level and diode output is resolved before any averaging is done, thus, the averaged result is correct for any arbitrary waveform. It is the characteristic which separates this method of power measurement from the conventional average power method in which the output of the detector is averaged before A/D conversion. Random power samples in time can be processed by the DSP to provide results in any form needed by an application. This includes peak power versus time, peak power relative to a trigger event, average power over various time intervals, peak to average ratio, maximum peak power in a time interval, etc.

For a stationary signal, the sum of the random samples over arbitrary, equal length time intervals is the same, provided there is no periodic relationship between the sampling rate and the modulating signal. In addition, there must be a sufficient quantity of samples taken to ensure adequate coverage. The advantage of a high sampling rate is the ease of accumulating a large number of sample points for each reading. If the detected signal is stationary or quasi-stationary in time, the waveform of the RF envelope can be re-constructed from the random samples. In conventional pulse or linear amplitude modulation, the RF carrier envelope and thus the detected signal correspond closely to the modulating signal waveform. In wireless communication systems, the exact shape of the pulsed RF envelope is critical for optimum performance. The Boonton Model 4500B is particularly suited to applications in which peak power versus time is the primary concern.

Statistical Methods Using the Model 4500B

Digital modulation methods in which amplitude and phase modulation are combined in a multi-level arrangement to represent a group of bit values from one or more data streams, and multiple carrier spread spectrum systems, such as LTE, do not have simple envelope waveforms which can be directly related to modulation parameters. Traditional parameters such as modulation depth and modulation index are not meaningful because the peak to average power ratio of the modulated carrier is a complex function of the data stream content, rather than the amplitude of the modulating signal. The resulting noise-like character of these signals suggests a statistical approach to analysis. The Boonton Model 4500B RF Peak Power Meter / Analyzer is designed to extract the statistical properties of these signals in addition to the time related properties discussed above.

Since the power of the individual random samples is known, they can be sorted and counted by power level. For a 14-bit A/D converter system there are 16384 possible power levels. If a memory array of this size is established, each address corresponds to one of the possible power levels. With the array initially cleared to zeroes, the value of each sample taken is interpreted as an offset address into the array, and the count stored at that location is incremented by one. As this process is repeated millions of times, the array contents approaches N times the probability function for the signal, where N is the total count of the entire array. The count at any address divided by N is equal to the probability of occurrence of the power level represented by that address. See Figure 2.

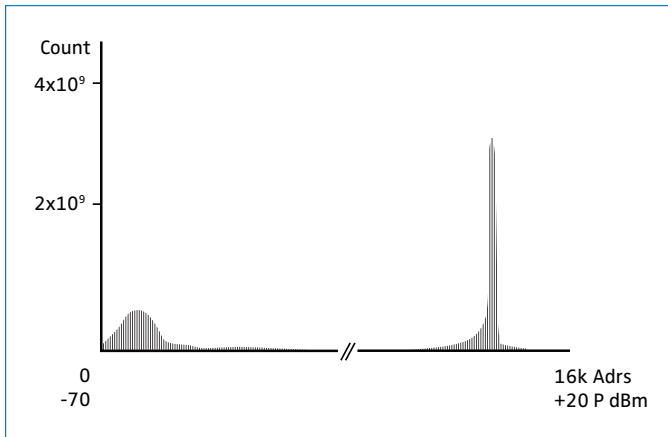


Figure 2 - Sample Count Array in memory.

The measurement process must keep track of the total number of samples taken in order to scale the results properly and to estimate the statistical uncertainty, which is inversely proportional to the square root of the number of samples. A high degree of confidence is assured by a very large number of samples and a long running time. A word size of 32 bits will account for at least 4.2 billion (4.2×10^9) samples without overflowing any counter. Even at 25 M samples per second, the maximum running time will be nearly three minutes before any possible overflow can occur. The measurement could be allowed to run indefinitely with a suitable decimation process, but not without loss of some information. Unfortunately, ordinary right shifting of the data results in the loss of the small counts which are typically the most important ones. Therefore, this option is only acceptable when a large sample population has been acquired. Well-defined modulation processes may show convergent results after only a few million samples are collected and running times of only a few seconds may be completely adequate for these applications. It is convenient for analytical reasons to organize statistical data into one of several standard forms. The Boonton Model 4500B displays the data both numerically and graphically on a color LCD screen. The following symbols are used throughout the formulas: Y is a discrete random variable with a range equal to all possible sampled values of carrier power. y is a specific power value contained in Y .

PDF

The probability distribution function of Y . The PDF is the percentage of time that the power is equal to a specific value, y . The percentage ranges from 0 to 100%, and the power extends over the entire dynamic range of the system. PDF expressed as a percentage is: $PDF = P(y) = 100 \cdot P[Y=y]$ where y ranges over all values in Y , $0 < P(y) < 100\%$. As samples are continuously taken, the sample space is rescaled to 100%. This conforms to the requirement that all $P(y)$ add up to 100%.

$\sum P(y) = 100\%$ where y ranges over all values in Y . The PDF is useful for analyzing the nature of modulating signals. Sustained power levels such as the flat tops of pulses or steps show up as lines. Random noise produces a Gaussian shaped curve.

CDF

The cumulative distributions function of Y . The CDF is the probability that the power is less than or equal to a specific value, y . The CDF is non-decreasing in y , that is, the graph of CDF versus y cannot have negative slope. The maximum power sample taken will lie at 100%. CDF expressed as a percentage is: $CDF = Q(y) = 100 \cdot P[Y \leq y]$ where y ranges over all values in Y , $0 < Q(y) < 100\%$, $Q(y_{max}) = 100\%$, and also, just as for PDF above, $P(y) = 100\%$.

CCDF

It is often more convenient to use the complementary CDF, or CCDF, or 1-CDF, sometimes called the "upper tail area". The CCDF is the probability that the power is greater than a specific power value. CCDF is non-increasing in y and the maximum power sample lies at 0%. CCDF expressed as a percentage is: $CCDF = 1 - Q(y) = 100 \cdot P[Y > y]$ where y ranges over all values in Y , $0 < 1 - Q(y) < 100\%$, $1 - Q(y_{max}) = 0\%$. In a non-statistical peak power measurement the peak-to-average ratio is the parameter which describes the headroom required in linear amplifiers to prevent clipping or compressing the modulated carrier. The meaning of this ratio is easy to visualize in the case of simple modulation in which there is close correspondence between the modulating waveform and the carrier envelope. When this correspondence is not present, the peak-to-average ratio alone does not provide adequate information. It is necessary to know what fraction of time the power is above (or below) particular levels. For example, some digital modulation schemes produce narrow and relatively infrequent power peaks which can be compressed with minimal effect. The peak-to-average ratio alone would not reveal anything about the fractional time occurrence of the peaks, but the CDF or CCDF clearly show this information. See Figure 3.

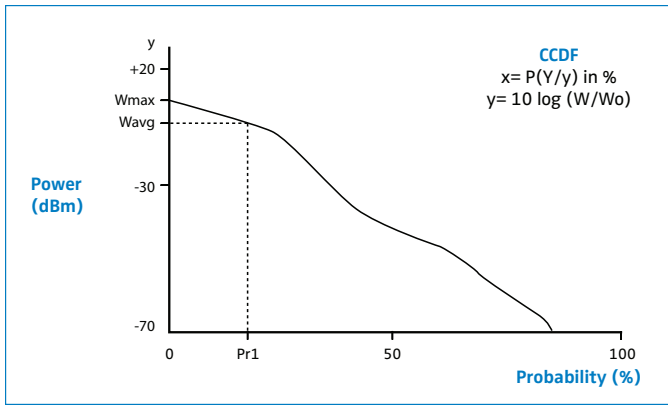


Figure 3. A CCDF with expanded time axis.

Note that the CCDF plot in Figure 3 has probability in percent on the X-axis and instantaneous envelope power in dBm on the Y-axis. The usual practice in texts on statistics is to show probability on the Y-axis. This change is made so that power always appears on the Y-axis in all instrument display modes. Keep in mind that power is the independent variable. The probability scale in Figure 3 has been expanded to better show the region around zero. On the Y axis at probability 0% is the maximum peak power which occurred during the entire run. Or, there is zero probability that a power level higher than W_{max} occurred during the run. At probability = 1% is the power level W_{clp} which was exceeded only 1% of the time during the entire run. Note that this analysis does not depend upon any particular test signal, nor upon synchronization with the modulating signal and there is no time base involved. In fact, the analysis can be done using actual communication system signals. Normal operation is not disturbed by the need to inject special test signals. This type of analysis is particularly suited to the situation in which the bit error rate (BER) or some other error rate measure is correlated with the percentage of time that the signal is corrupted. If known short intervals of clipping are tolerable, the CCDF can be used to determine optimum transmitter power output. The CCDF is also used to evaluate various modulation schemes to determine the demands that will be made on linear amplifiers and transmitters and the sensitivity to non-linear behavior.

The Boonton Model 4500B provides the CCDF as well as the CDF and PDF graphs along with power and pulse parameters for a comprehensive analysis of pulse or spread spectrum digital modulation. On the model 4500B, Option 10 is the RF Peak Power Analyzer in the statistical power mode. In statistical power measurements, the instrument does not require a trigger event from the signal to make power measurements. The signal is continuously sampled at 25 million samples per second. The instrument can also perform gated statistical measurements on burst or frame-oriented modulation formats using a triggered statistical gate and 50 MHz sampling.

References

Abramowitz and Stegun, Editors, *Handbook of Mathematical Functions*, NBS Applied Mathematics Series 55, US Dept., of Commerce, 1968.

Bic, J.C., Duponteil, D. and Imbeaux, J.C., *Elements of Digital Communication*, John Wiley & Sons, 1991.

ISBN 0 471 91571 8 Lee, Y.W., *Statistical Theory of Communication*, John Wiley & Sons, 1967.

GSM Base Station System Equipment Specification, GSM 11.20, European Telecommunications Standards Institute.



Wireless Telecom Group Inc.

25 Eastmans Rd
Parsippany, NJ
United States
Tel: +1 973 386 9696
Fax: +1 973 386 9191
www.boonton.com

© Copyright 2010
All rights reserved.

Note: Specifications, terms and conditions
are subject to change without prior notice.